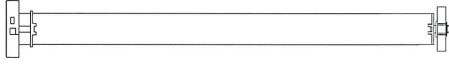
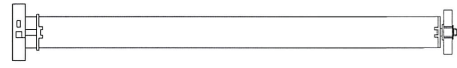




Tubular Motor- DM25DB Specification



Product introduction



Functional features:

- Electronic Limit
- Stall Protection



Parameter (More models and parameters are subject to the nameplate)

Type	DM25DB-1.1N/40r
Rated Torque(N.m)	1.1N.m
Motor Speed(RPM)	40RPM
Rated Voltage(V)	12V/24V

Button specification



Operation note

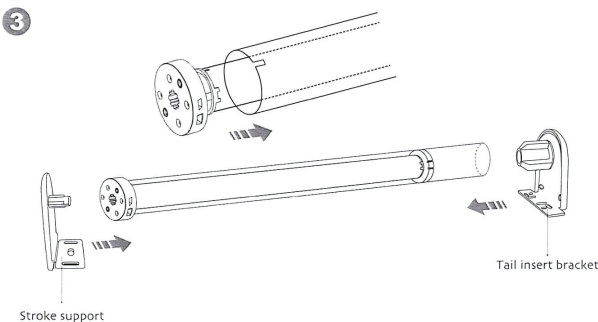
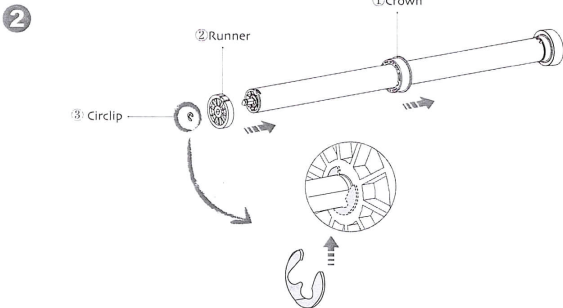
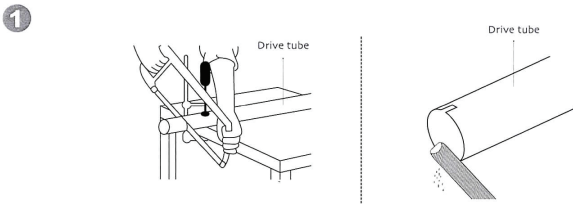
Please read the following precautions before use:

1. AC connection mode reference wiring diagram
Customer please spare wiring, isolation, use accessories package bobbin (or other means).
2. When the motor runs into resistance, it will stop running.

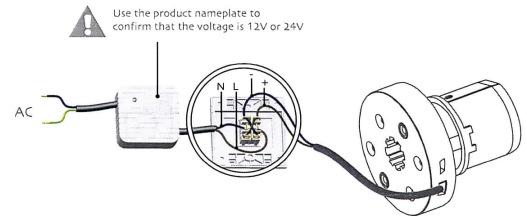


Motor installation

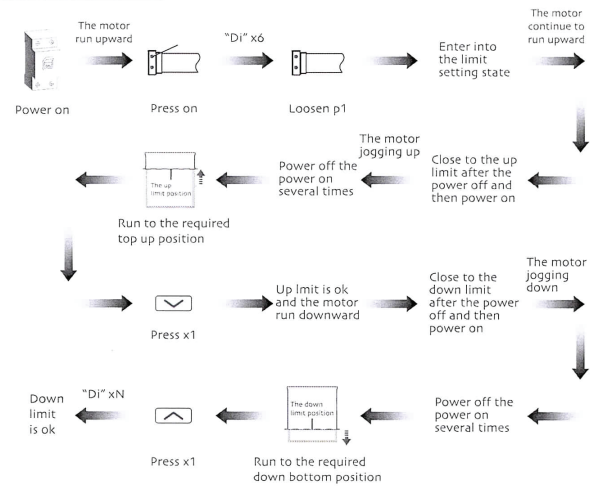
- 1 Driving tube must be close-fitting with crown and drive adapter.
- 2 Choose crown and drive adapter based on the driving tube.



4



Limit position setting



Fault and solution

NUMBER	PHENOMENON	REASON	PROCESSING METHOD
1	The motor is not running	May be the power is short-circuit or the circuit board or the motor is broken.	Contact the engineers for after-sales